

Side-Seal Semi-Auto Strapping Machine

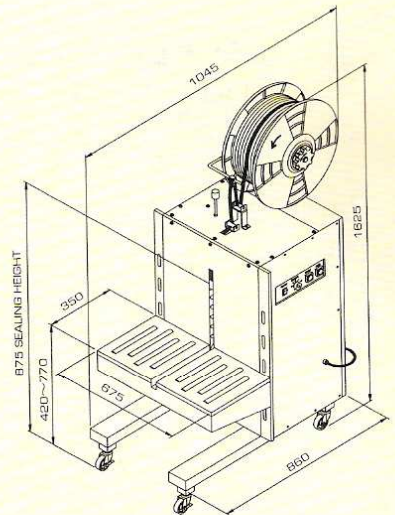


TP-201YS

- Stainless steel frame SUS 304
- Ideal for dirty strapping environment, such as sawmill plants, brick and tile industries
- Adjustable table height between 420 mm and 770 mm

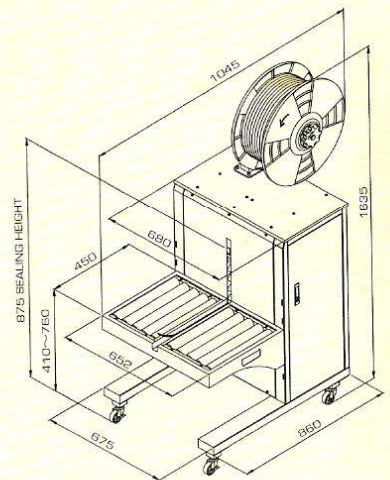
Options

- ▶ Selected parts in stainless steel
- ▶ Painted steel frame (TP-201Y)



TP-201YM

- Stainless steel frame SUS 304 with rust resistant and corrosion retardant parts.
- Ideal for moist and harsh strapping environments, such as marine food, meat, and poultry industries.
- Waterproof design to protect the machine from water and wash down spray
- Special protection for the electric control unit to ensure highest safety
- Adjustable table height between 410 mm and 760 mm



Main Features:

- ▶ Semi-auto side-seal strapping machine offers reliability and high performance
- ▶ Suitable for low volume applications
- ▶ Low maintenance is required
- ▶ Mechanical tension control

TECHNICAL DATA

Strap Width: 6 mm-15.5 mm adjustable
Strap Tension: 15 kg to 45 kg
Net Weight: TP-201YS: 125 kg
TP-201YM: 126 kg
Power: 110V, 220V, 230V 50/60Hz 1PH

All specifications subject to change without notice.



9F-4, NO.112, SEC. 2, CHUNG SHAN N. ROAD, TAIPEI 104, TAIWAN
MAILING ADDRESS : P.O.BOX 68-1951, TAIPEI 104, TAIWAN
TEL : (02) 2581 0126 FAX : 886 2 2562 9849
WEB : www.transpakcorp.com E-mail : transpak@transpak.com.tw

Made in Taiwan

06.2007x2000