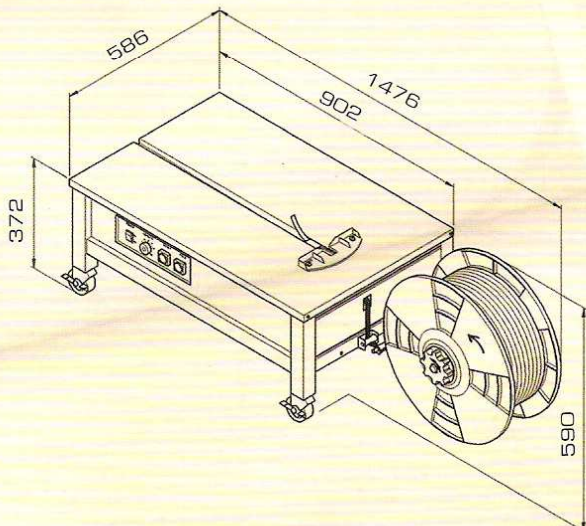
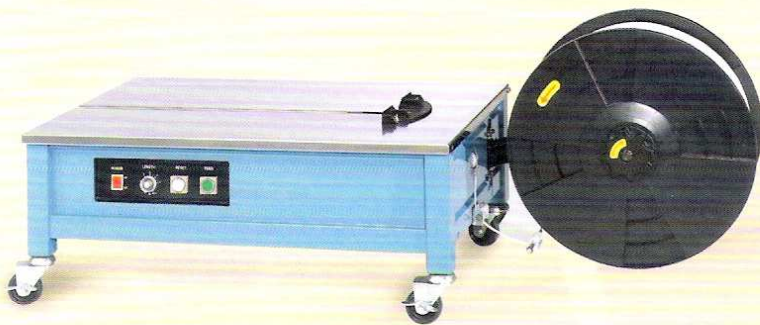


TP-203

Main Features:

- ▶ Mid-sized model
- ▶ Net Weight: 80 kg
- ▶ Smoke-exhaustion system
- ▶ Designed specially for office, bank, post office, book and department store...etc.



TP-202L

Main Features:

- ▶ Low-table model
- ▶ Net Weight: 80 kg
- ▶ Designed to accommodate tall or heavy packages